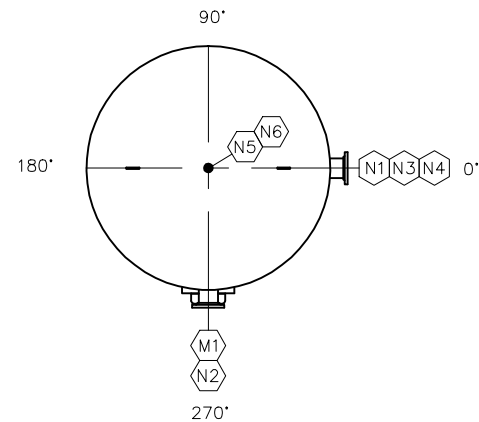
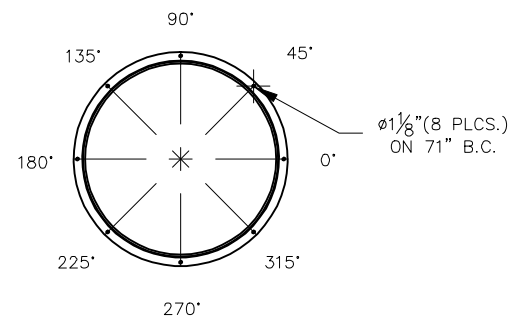


**ELEVATION VIEW**



**PLAN VIEW**



**SECTION A-A**

DESIGN CODE AND CONDITIONS:  
 CODE: VIII-1 EDITION: 2010 ADDENDA: 2011  
 RADIOGRAPHY: RT4  
 PWHT: NONE  
 INTERIOR FINISH: NONE  
 EXTERIOR FINISH: DEVGUARD 4160 (RED)  
 VOLUME: 5008 GALLONS FLUID: H<sub>2</sub>O  
 WEIGHT: DRY 9260 LBS AIR PRESSURE TEST: N/A LBS  
 MAWP: 150 PSI AT 400 °F  
 MDMT: -20 °F AT 150 PSI  
 TEST PRESSURE: 195 PSI WITH: H<sub>2</sub>O FOR 20 MIN.  
 CORROSION ALLOWANCE: 0"

MARK	DESCRIPTION	SIZE	LOCATION
N6	DRAIN	1 1/2" NPT	BOTTOM HEAD
N5	VENT	1 1/2" NPT	TOP HEAD
N4	PRESSURE RELIEF	3" NPT	SHELL
N3	PRESSURE GAGE	1/4" NPT	SHELL
N2	OUTLET	6" FLANGE	SHELL
N1	INLET	6" FLANGE	SHELL
M1	MANWAY	12"x16" ELL. MANWAY	SHELL
MARK	SERVICE	DESCRIPTION	LOCATION

NOZZLE SCHEDULE

1	UPDATE CODE & CONDITIONS	KP	2/27/12
NO.	REVISION	BY	DATE
PROJECT			
AR-PV5000V84-150			
PROJ. NO. SALES			
P.O. NO.			
THIS DRAWING AND DESIGN ARE THE PROPERTY OF TIGG CORP. AND SHALL NOT BE REPRODUCED IN WHOLE OR IN PART FOR EMPLOYED FOR ANY PURPOSE OTHER THAN SPECIFICALLY PERMITTED IN WRITING BY TIGG CORP. THIS DRAWING LOANED SUBJECT TO RETURN ON DEMAND.			
DRAWN BY		JB	
DESIGN BY		BB	
CHKD. BY		BB	
DATE		10/25/11	
SCALE		NTS	
AR-PV5000V84-150-1001			REV. 1



PLAN & ELEVATION